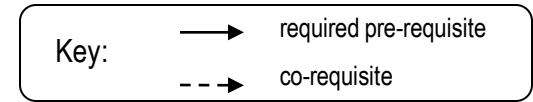


Flow chart of SPU Electrical Engineering curriculum for freshmen entering Fall 2009

(typical schedule, some courses offered at other quarters)



Freshman

Sophomore

Junior

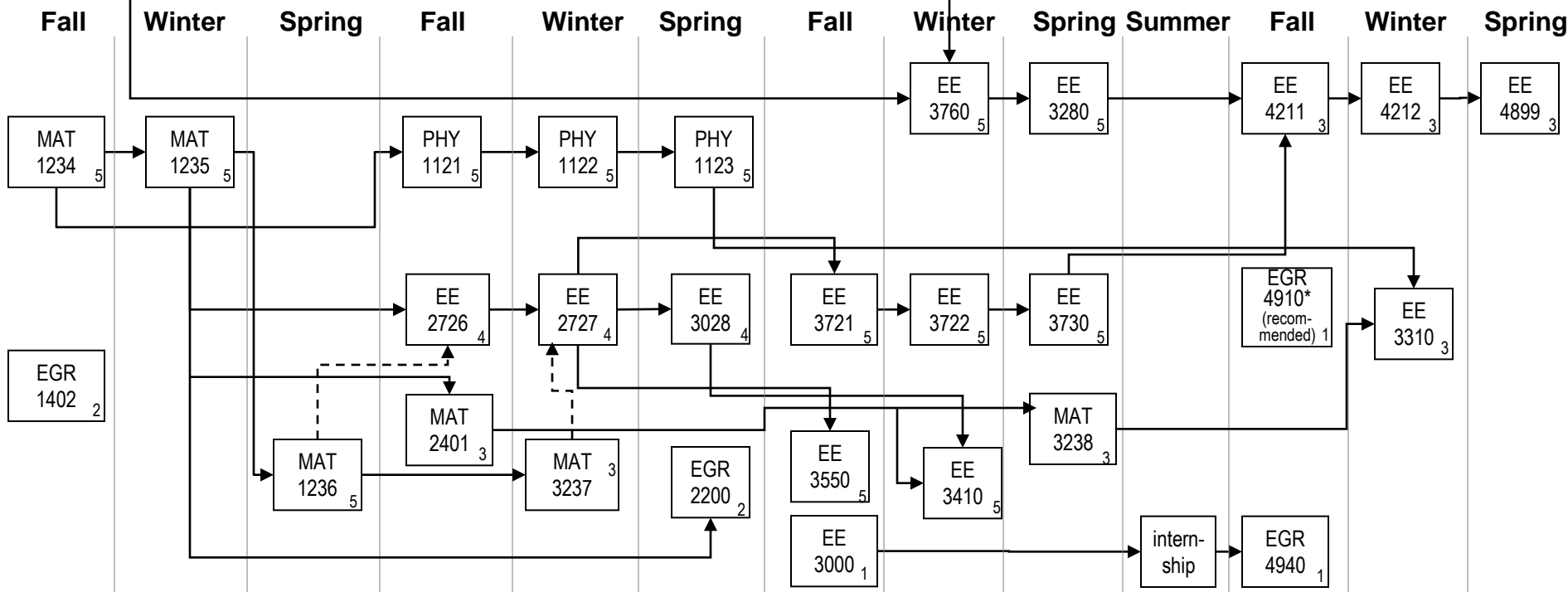
Senior

These courses may be taken Fall or Winter

It is suggested to take CSC 2430 soon after CSC 1230, but CSC 2430 may be taken any time before EE3760

These courses may be taken whenever they fit into your schedule

SPU General Education (55 credits)	Chemistry Proficiency Exam	Technical Electives (12 credits)	SPU Foreign Language Requirement
------------------------------------	----------------------------	----------------------------------	----------------------------------



*All EE majors must take the FE exam; EGR 4910 is recommended to help you prepare for the exam

12 10 10 12 12 11 11 15 13 5 6 3